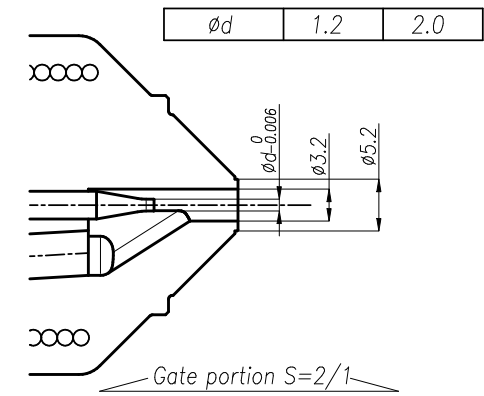
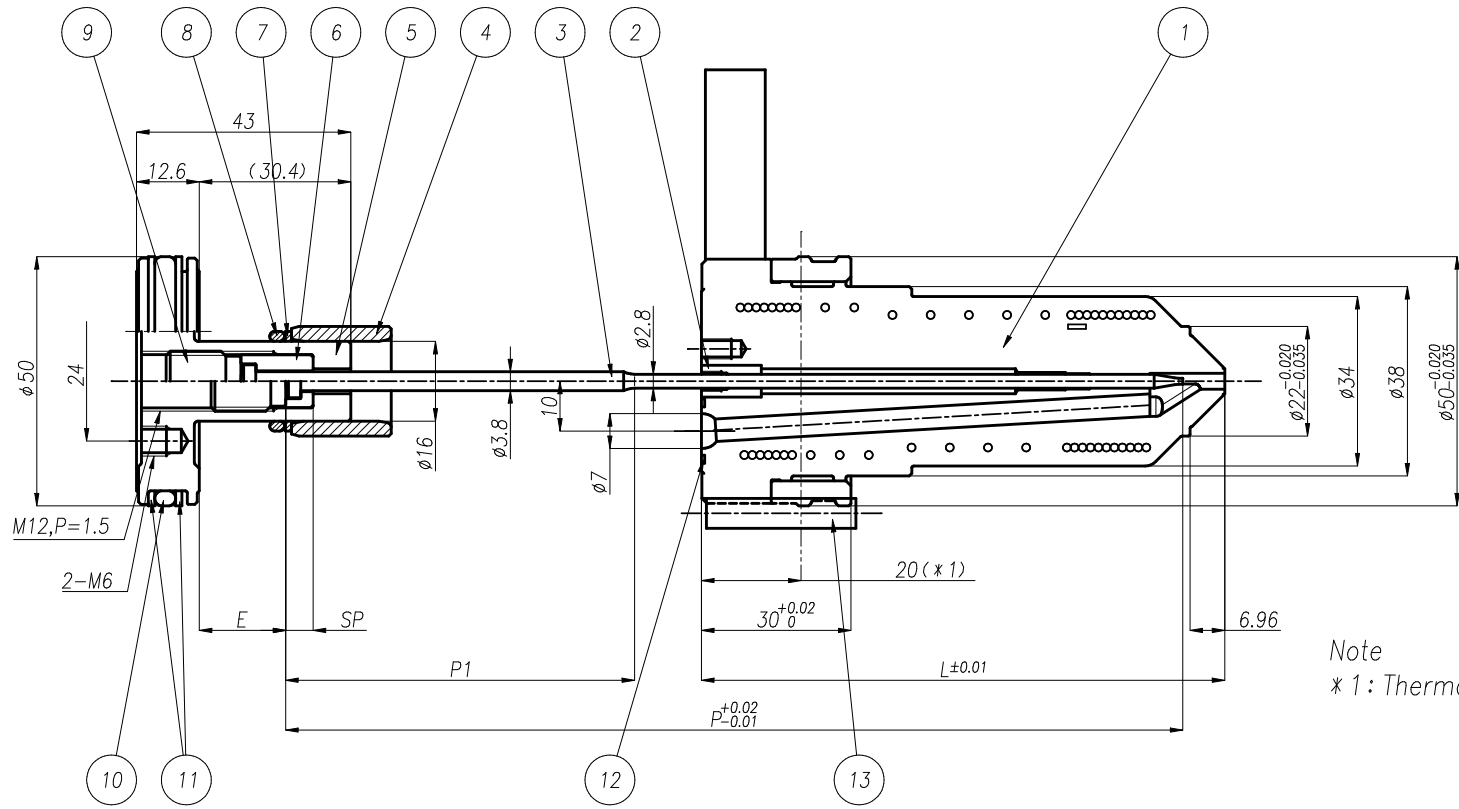


# SVY (P Type) Standard drawing (Φ1.2, 2.0)



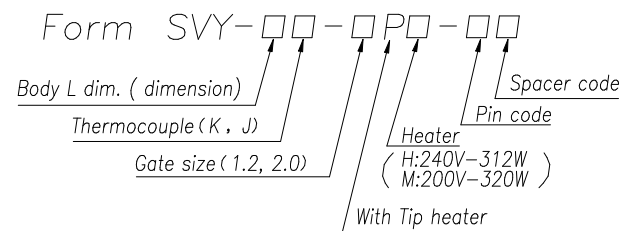
Note  
\* 1: Thermal expansion start here.

L dim.	Valve Pin		
	Code	P	P1
85	A	150	60
	<b>B</b>	<b>160</b>	<b>70</b>
	C	170	80
	D	180	90
105	E	170	60
	<b>F</b>	<b>180</b>	<b>70</b>
	G	190	80
125	H	200	90
	J	190	60
	<b>K</b>	<b>200</b>	<b>70</b>
	L	210	80
	M	220	90

\* Bigger Character: Standard Pin

Code	Spacer type	E	SP
0	<b>SP1- 5.5</b>	<b>17.35</b>	<b>5.5</b>
9	SP1- 6.5	16.35	6.5
8	SP1- 7.5	15.35	7.5
7	SP1- 8.5	14.35	8.5
6	SP1- 9.5	13.35	9.5
5	SP1-10.5	12.35	10.5
4	SP1-11.5	11.35	11.5
3	SP1-12.5	10.35	12.5
2	SP1-13.5	9.35	13.5
1	SP1-14.5	8.35	14.5

Bold letters in E,SP mean standard dimensions.



## Parts List

No	Description	Material	Qty.	Remark
13	Dowel Pin ( $\phi 6 \times 30$ )		1	MSTP 6-30
12	Metal O ring		1	GO0500A
11	Back-up ring (P44 T2)		2	GN 0485 AO
10	Rubber O ring (40-P44)		1	CO 0042 I
9	Screw		1	MSWPN 12-15 (HRC34-43)
8	Rubber O ring (40-P16)		1	CO 0015 I
7	Back-up ring (P16 T2)		1	GN 0402 AO
6	Spacer		1	HRC40
5	Piston		1	HRC33
4	Oilless bushing		1	SPB-162220
3	Valve pin		1	HRC63
2	Steady pin brace system		1	HRC40
1	Probe		1	