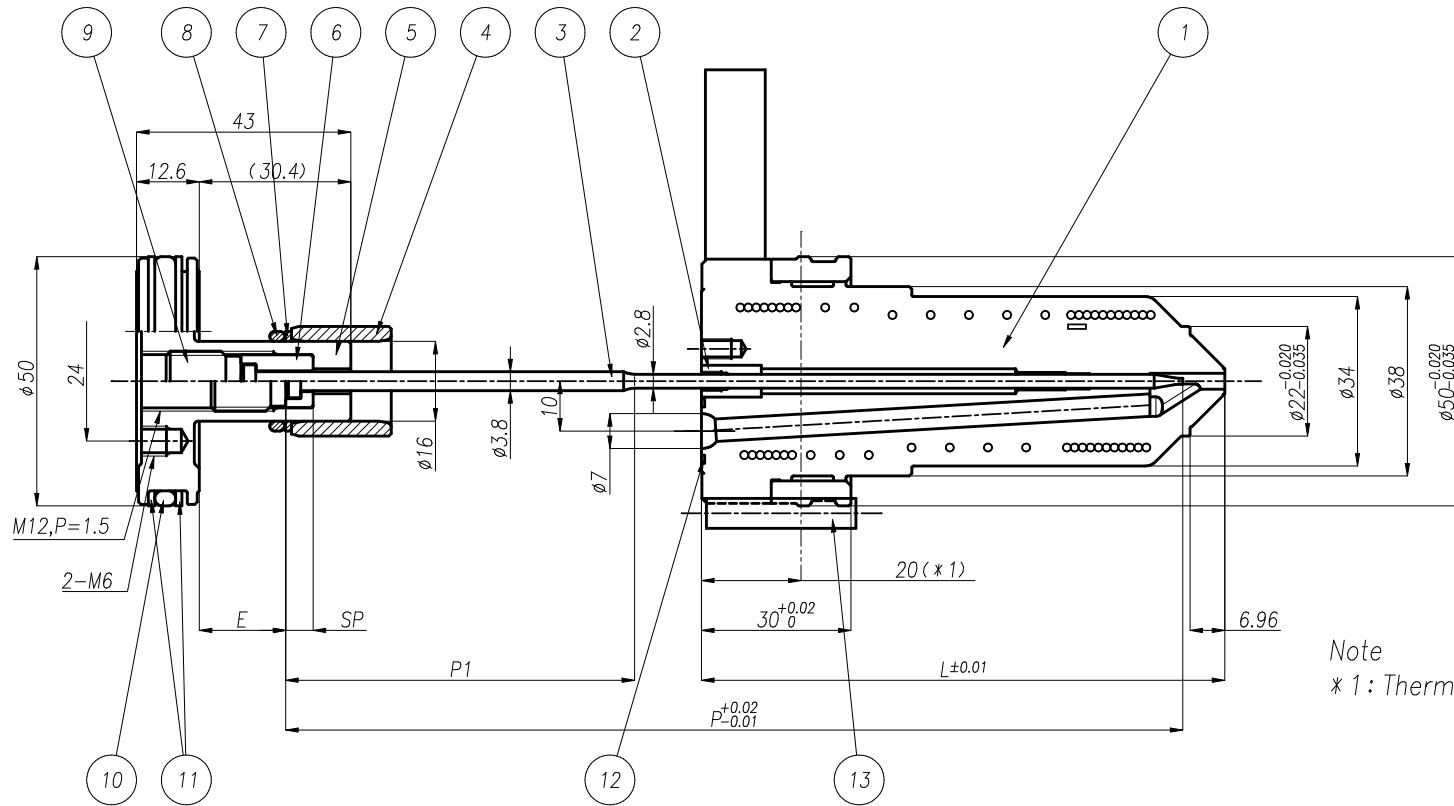


SVY (N Type) Standard drawing ($\Phi 1.2, 2.0$)



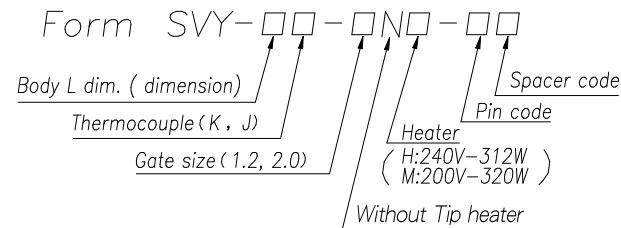
Note
* 1: Thermal expansion start here.

L dim.	Valve Pin		
	Code	P	P1
85	A	150	60
	B	160	70
	C	170	80
	D	180	90
	E	170	60
105	F	180	70
	G	190	80
	H	200	90
125	J	190	60
	K	200	70
	L	210	80
	M	220	90

* Bigger Character: Standard Pin

Code	Spacer type	E	SP
0	SP1-5.5	17.35	5.5
9	SP1-6.5	16.35	6.5
8	SP1-7.5	15.35	7.5
7	SP1-8.5	14.35	8.5
6	SP1-9.5	13.35	9.5
5	SP1-10.5	12.35	10.5
4	SP1-11.5	11.35	11.5
3	SP1-12.5	10.35	12.5
2	SP1-13.5	9.35	13.5
1	SP1-14.5	8.35	14.5

Bold letters in E, SP mean standard dimensions.



Parts List

No	Description	Material	Qty.	Remark
13	Dowel Pin ($\phi 6 \times 30$)		1	MSTP 6-30
12	Metal O ring		1	GO0500A
11	Back-up ring (P44 T2)		2	GN 0485 AO
10	Rubber O ring (40-P44)		1	CO 0042 I
9	Screw		1	MSWPN 12-15 (HRC34-43)
8	Rubber O ring (40-P16)		1	CO 0015 I
7	Back-up ring (P16 T2)		1	GN 0402 AO
6	Spacer		1	HRC40
5	Piston		1	HRC33
4	Oilless bushing		1	SPB-162220
3	Valve pin		1	HRC63
2	Steady pin brace system		1	HRC40
1	Probe		1	
No	Description	Material	Qty.	Remark