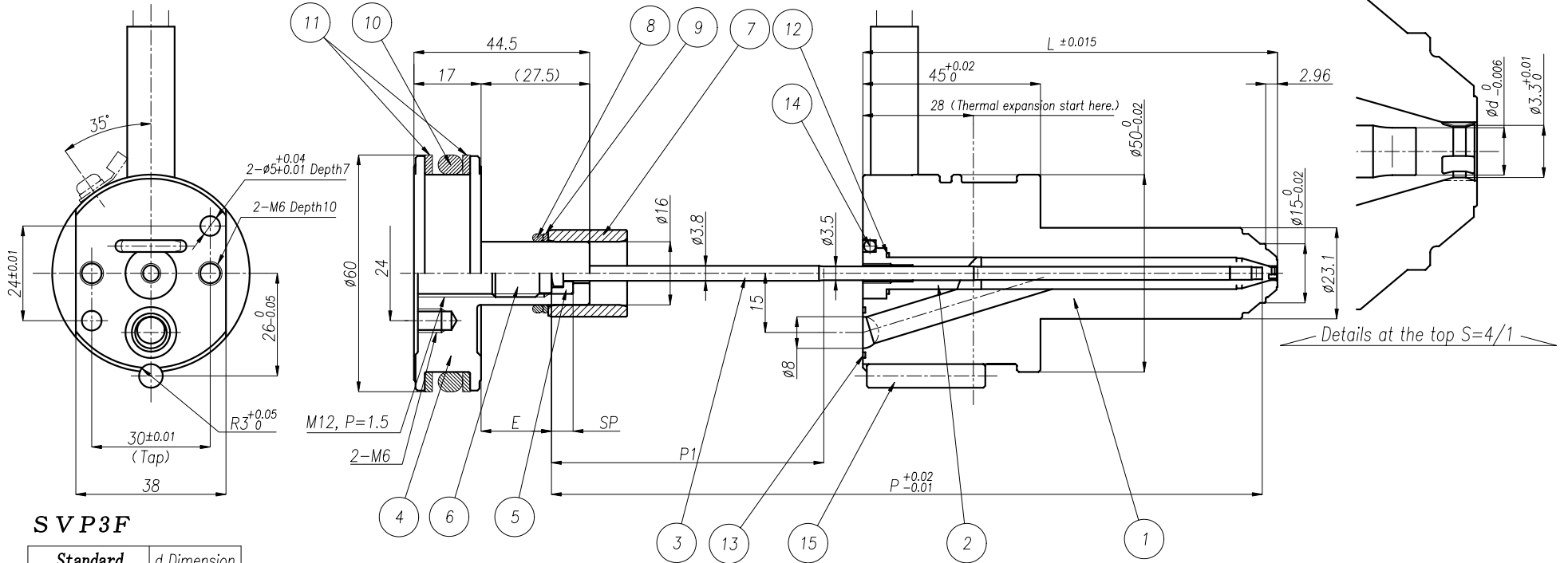


# ∨ SVP3F Standard drawing (∅ 3.0)



## SVP3F

Standard	d Dimension
SVP3F	3.0

#	P	P1	Standard
A	150	60	85
<b>B</b>	<b>160</b>	<b>70</b>	
C	170	80	
D	180	90	
E	170	60	105
<b>F</b>	<b>180</b>	<b>70</b>	
G	190	80	
H	200	90	125
J	190	60	
<b>K</b>	<b>200</b>	<b>70</b>	
L	210	80	
M	220	90	

\* Bigger Character: Standard Pin

#	Spacer	E	SP
0	<b>SP1- 5.5</b>	<b>17.82</b>	<b>5.5</b>
9	SP1- 6.5	16.82	6.5
8	SP1- 7.5	15.82	7.5
7	SP1- 8.5	14.82	8.5
6	SP1- 9.5	13.82	9.5
5	SP1-10.5	12.82	10.5
4	SP1-11.5	11.82	11.5
3	SP1-12.5	10.82	12.5
2	SP1-13.5	9.82	13.5
1	SP1-14.5	8.82	14.5

• Bold letters in ESP mean standard dimensions.

### Form SVP3F-□□-3.0□□-□□

- Spacer code
- Pin Code
- Heater  
(M:220V-280W,H:240V-288W)
- Tip heater (P:with, N:Without)
- Thermocouple K,J
- Body L dim. (dimension)

15	Dowel Pin (∅6x30)	1	MSTP 6-30
14	Dowel Pin (∅3x15)	1	MS 3-15
13	O-Ring	1	G00500A
12	O-Ring	1	G00406A
11	Back-up ring (P50A T2)	2	GN 0503 A0
10	O-Ring (4D-P50A)	1	CO 0048 U3
9	Back-up ring (P16 T2)	1	GN 0402 A0
8	O-Ring (4D-P16)	1	CO 0015 V8
7	Oilless bushing	1	SPB-162220
6	Screw	1	MSWPN 12-15
5	Spacer	1	
4	Piston	1	
3	Valve Pin	1	
2	Valve sleeve	1	
1	Probe	1	
#	Description	Material	Qty. Remark