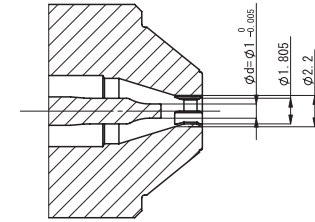
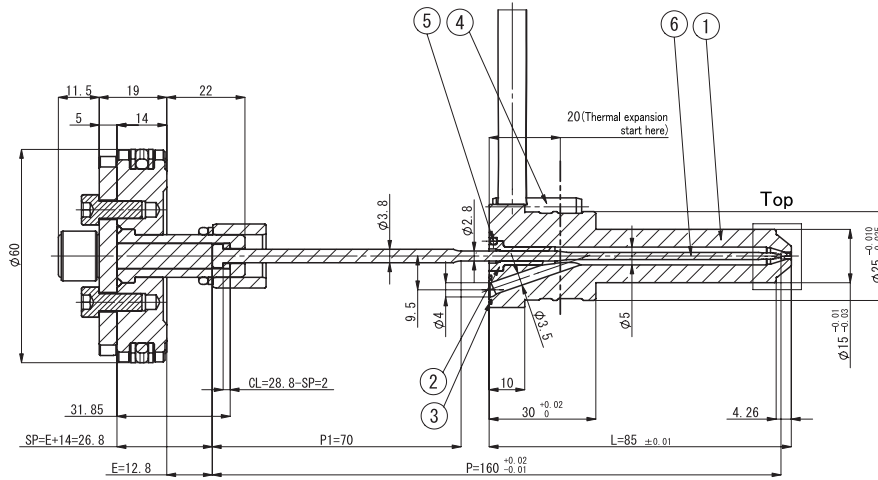
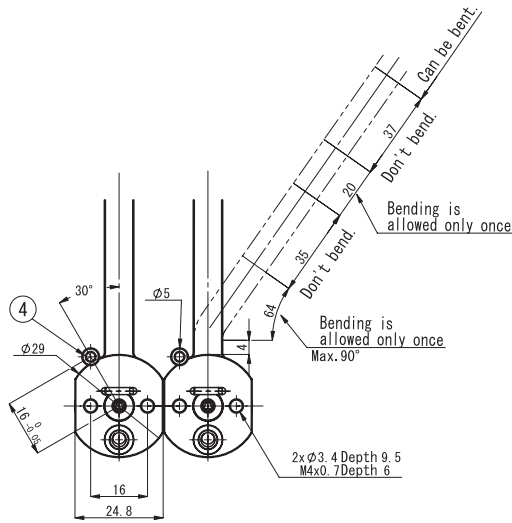
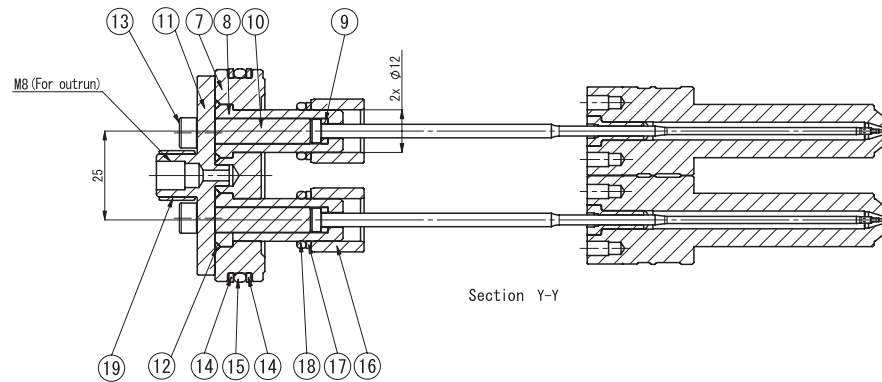
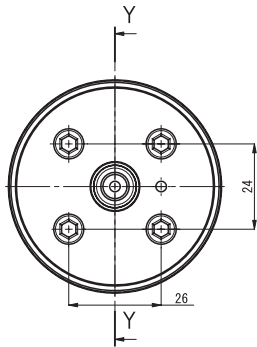


# Standard Drawing SV25F-60WR25 (φ 0.8, 1.0, 1.2)



Details at the top  
Scale 4 : 1

φ d	0.8	1.0	1.2
-----	-----	-----	-----

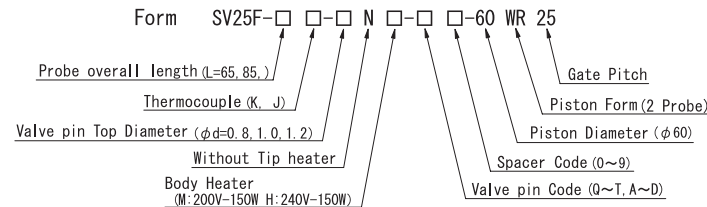


No	P Dimension	PI Dimension	Probe Length
Q	130	60	65
<b>R</b>	<b>140</b>	<b>70</b>	
S	150	80	
T	160	90	85
A	150	60	
<b>B</b>	<b>160</b>	<b>70</b>	
C	170	80	
D	180	90	

Bigger Character: Base Pin

No	Spacer/Care dimension		
	E	SP	CL
<b>0</b>	<b>12.8</b>	<b>26.80</b>	<b>2</b>
9	11.8	25.80	3
8	10.8	24.80	4
7	9.8	23.80	5
6	8.8	22.80	6
5	7.8	21.80	7
4	6.8	20.80	8
3	5.8	19.80	9
2	4.8	18.80	10
1	3.8	17.80	11

Bigger Character: Base dimension



$\phi 60$  Piston theoretical thrust =  $(\pi/4) \times 60 \times 60 \times 0.49 = 1385$  (N)

19	Oilless bushing	1	TMB-1210
18	O ring	2	4D-P12
17	Back-up ring	2	P12 T2
16	Oilless bushing	2	SPB-121815
15	O ring	1	4D-G55
14	Back-up ring	2	G55 T2
13	Screw	4	M5 x 12 CSB
12	O ring	2	4D-S14
11	Head side Rod	1	
10	Spacer	2	SP0-26.8
9	Collar	2	CL0-2
8	Piston Rod	2	
7	Piston	1	
6	Valve pin	2	B P=160
5	Dowel Pin	2	MS2-8
4	Dowel Pin	2	MSTP5-25
3	SUS O ring	2	G00312A
2	Sleeve	2	SV25
1	SV25F-Probe	2	L=85
No	Description	Qty	Size

The drawing shows L=85, P=160 (B), φd=φ1.0