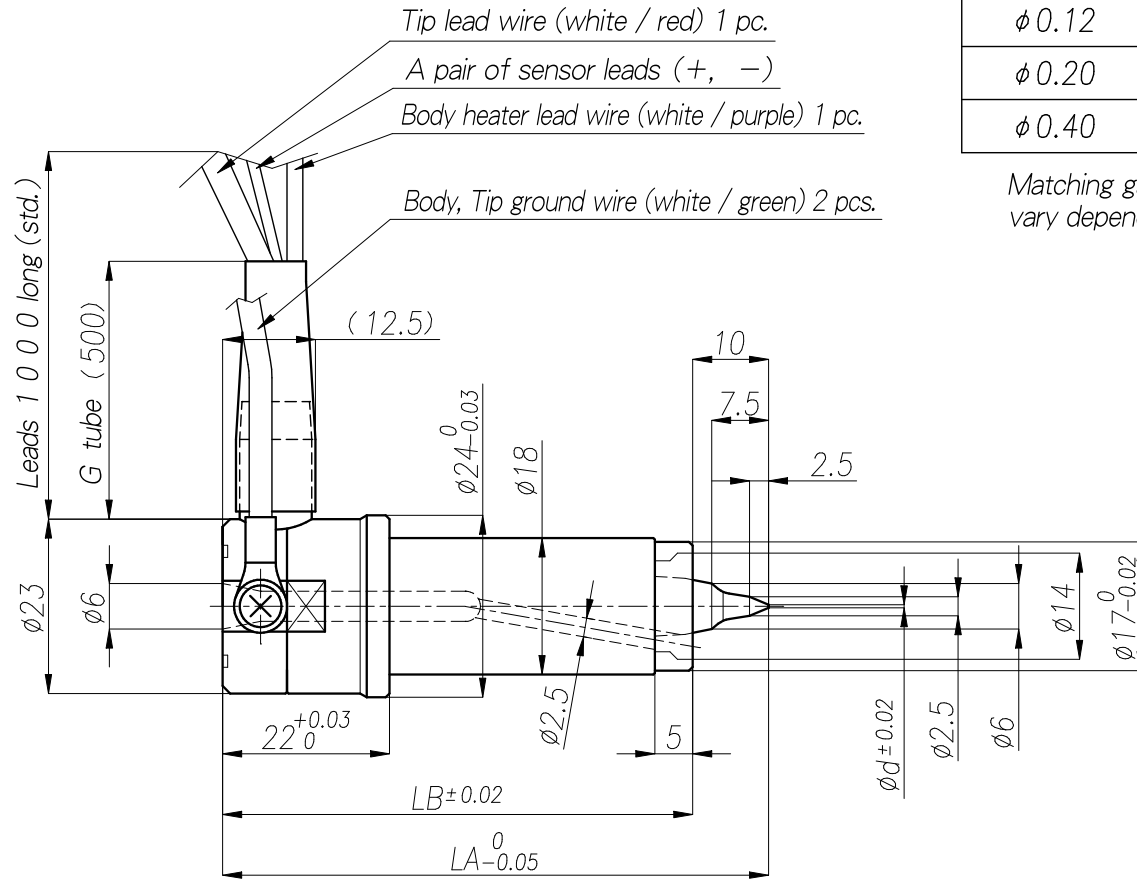


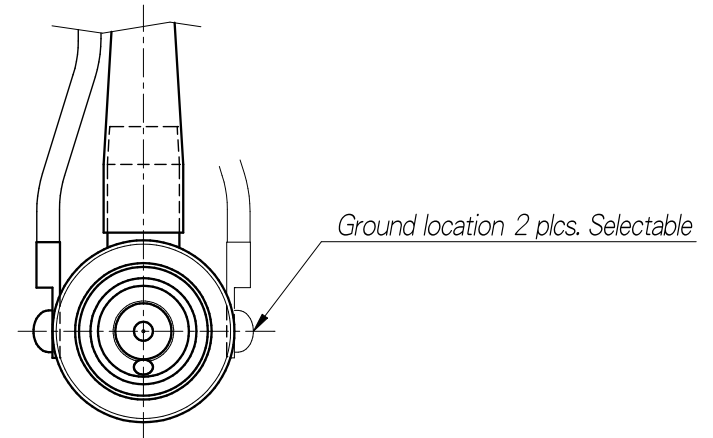
ESP17KPF Standard Drawing



Tip dia. (φ d)	Applicable gate dia.
φ 0.12	φ 0.5~0.8
φ 0.20	φ 0.6~1.0
φ 0.40	φ 0.8~1.2

Matching gate diameter may vary depends on reishn grade.

Standard	LA	LB
ESP17KPF-62	62.0	52.0
” -72	72.0	62.0
” -82	82.0	72.0
” -92	92.0	82.0



Accessories	Specification
Tip ground wire	1.25SQ Ni ply Cu wire (white/green) 1000mm (std)
Body ground wire	0.75SQ Ni ply Cu wire (white/green) 1000mm (std)
Round head screw	M4×6, SW 2 pcs.
SUS O Ring	G00625A 1 pc.

— Ni round terminal is attached.

Tip heater	11V Ground
Body heater	32V Ground

Tolerance unless specified

Dimension	angle
±0.1	±0.5°