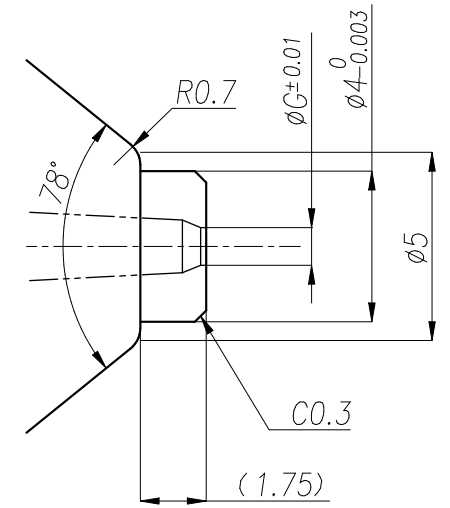
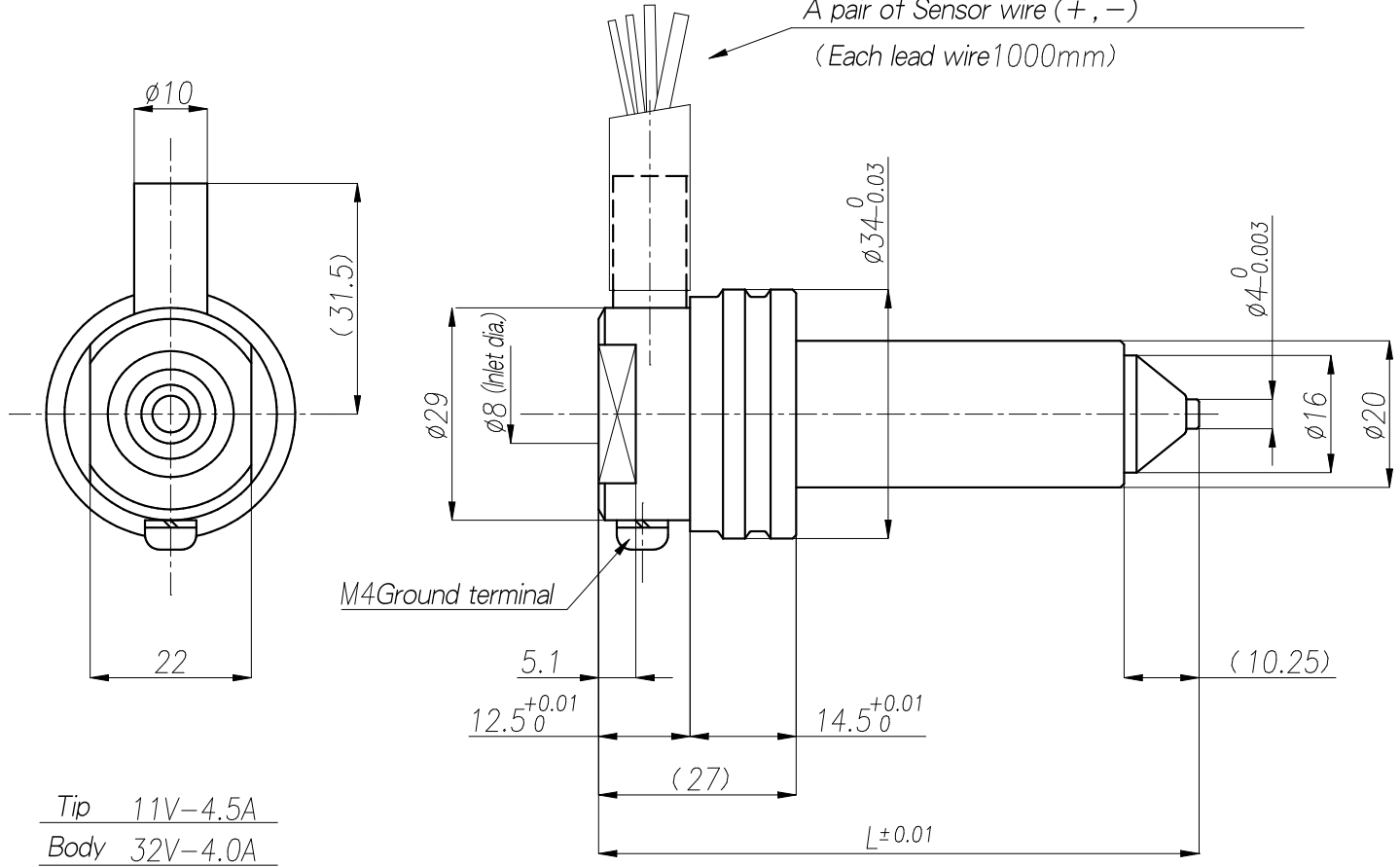


# STT-20GF8 Standard Drawing

Tip lead wire, Ni ply Cu wire 1.25SQ(white/red) 1 pc.  
 Body lead wire, Ni ply Cu wire 0.75SQ(white/purple) 1 pc.  
 A pair of Sensor wire (+, -)  
 (Each lead wire 1000mm)

Spear L dim.	Gate dia. $\phi G$
92	0.5
102	0.7
112	0.8
122	1.0



Tip 11V-4.5A  
 Body 32V-4.0A

Accessories	Specification
Tip ground wire	1.25SQ Ni ply Cu wire (white/green) - Ground terminal
Round head terminal	M4x 6, SW
SUS O Ring	ST-13B

Details of the pointed end S=5/1