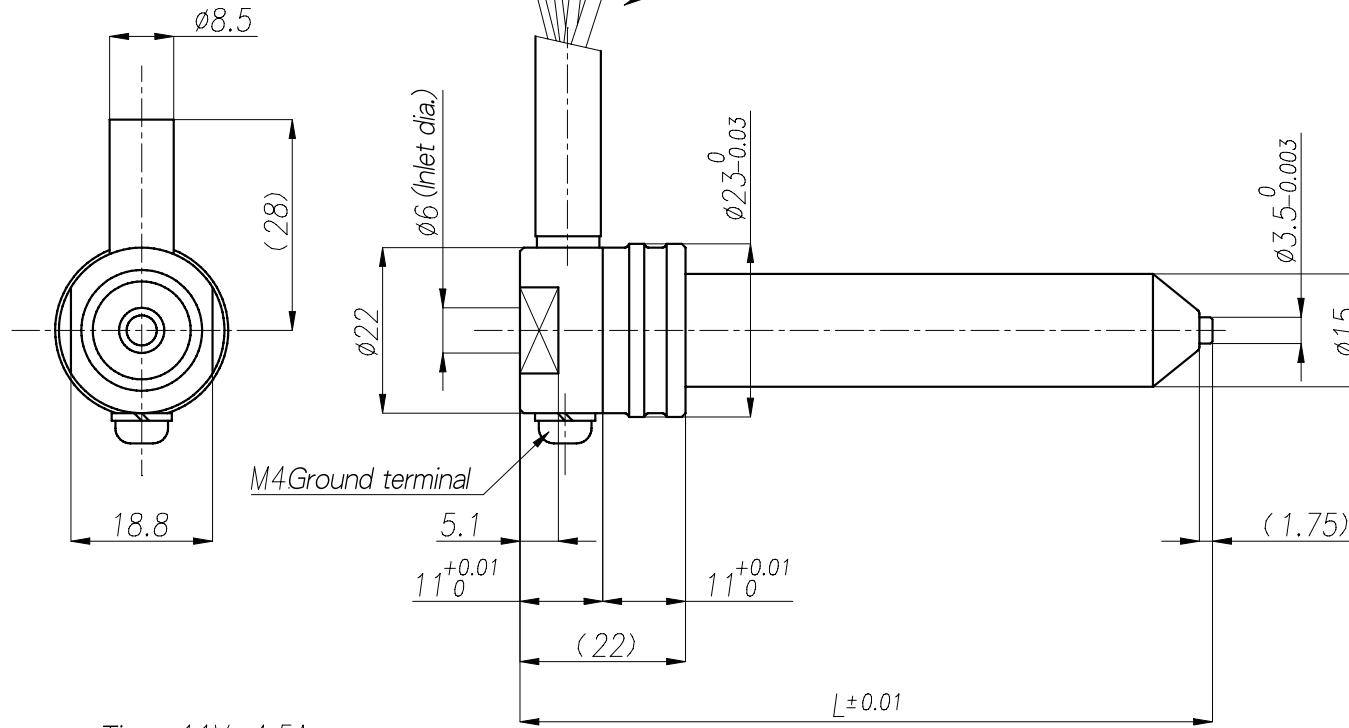


# STT-15GF6 Standard Drawing

Tip lead wire, Ni ply Cu wire 1.25SQ(white/red) 1 pc.  
 Body lead wire, Ni ply Cu wire 0.75SQ(white/purple) 1 pc.  
 A pair of Sensor wire (+, -)  
 (Each lead wire 1000mm)

Standard	L	Gate dia.( G )
STT-15GF6-62	62	φ 0.5
STT-15GF6-72	72	φ 0.7
STT-15GF6-82	82	φ 0.8
STT-15GF6-92	92	φ 1.0



Tip 11V-4.5A  
 Body 32V-4.0A

Accessories	Specification
Tip ground wire	1.25SQ Ni ply Cu wire (white/green)
Body ground wire	0.75SQ Ni ply Cu wire (white/green)
Round head terminal	M4X 6, SW
SUS O Ring	G00625A

Details of the pointed end S=5/1