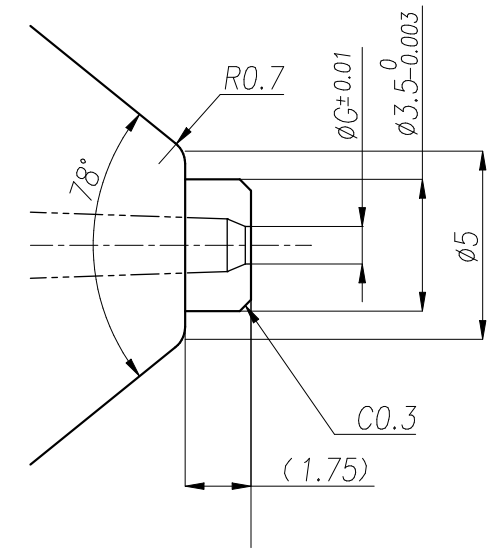
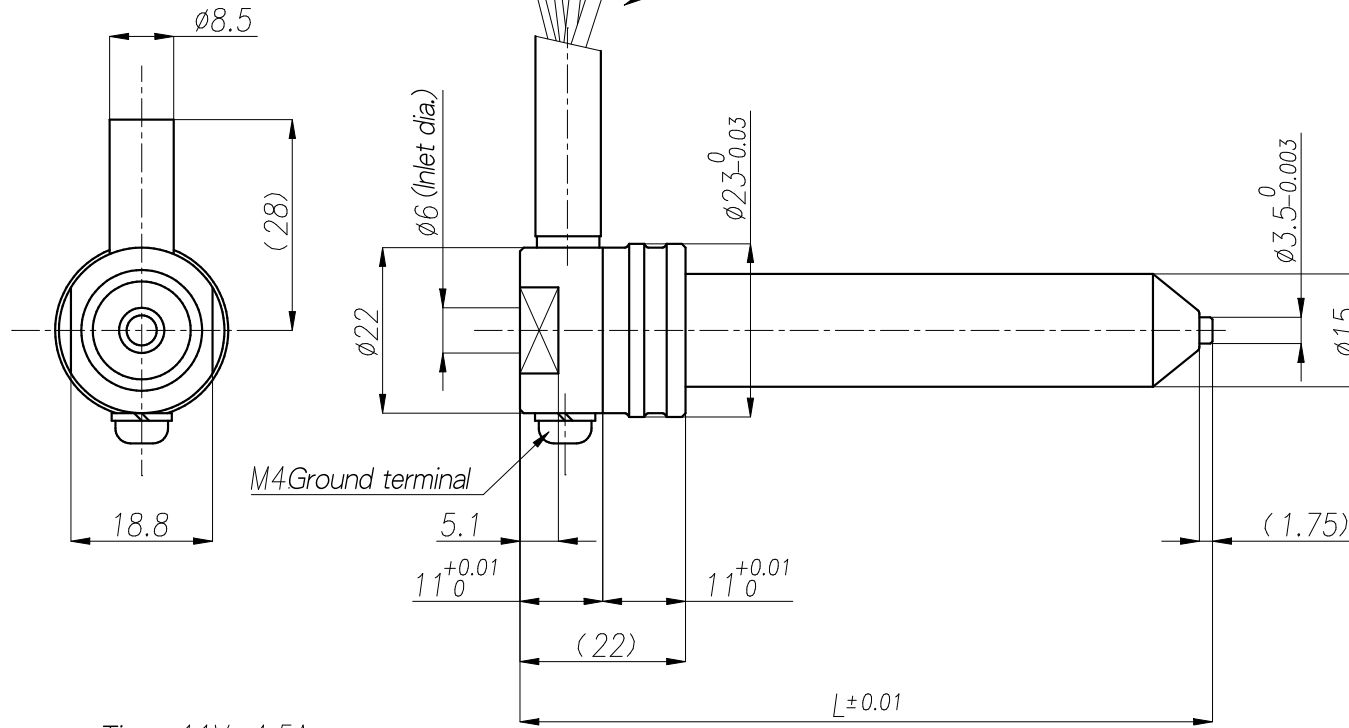


# STT-15GF6 Standard Drawing

Tip lead wire, Ni ply Cu wire 1.25SQ(white/red) 1 pc.  
 Body lead wire, Ni ply Cu wire 0.75SQ(white/purple) 1 pc.  
 A pair of Sensor wire (+, -)  
 (Each lead wire 1000mm)

| Standard     | L  | Gate dia.( G ) |
|--------------|----|----------------|
| STT-15GF6-62 | 62 | φ 0.5          |
| STT-15GF6-72 | 72 | φ 0.7          |
| STT-15GF6-82 | 82 | φ 0.8          |
| STT-15GF6-92 | 92 | φ 1.0          |



Details of the pointed end S=5/1

Tip 11V-4.5A  
 Body 32V-4.0A

| Accessories         | Specification                       |
|---------------------|-------------------------------------|
| Tip ground wire     | 1.25SQ Ni ply Cu wire (white/green) |
| Body ground wire    | 0.75SQ Ni ply Cu wire (white/green) |
| Round head terminal | M4X 6, SW                           |
| SUS O Ring          | G00625A                             |