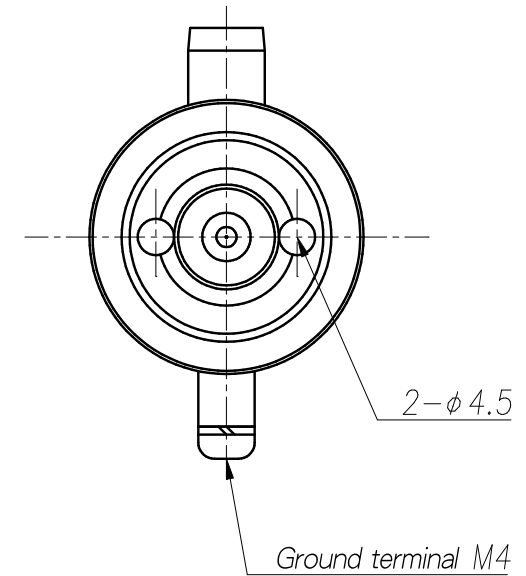
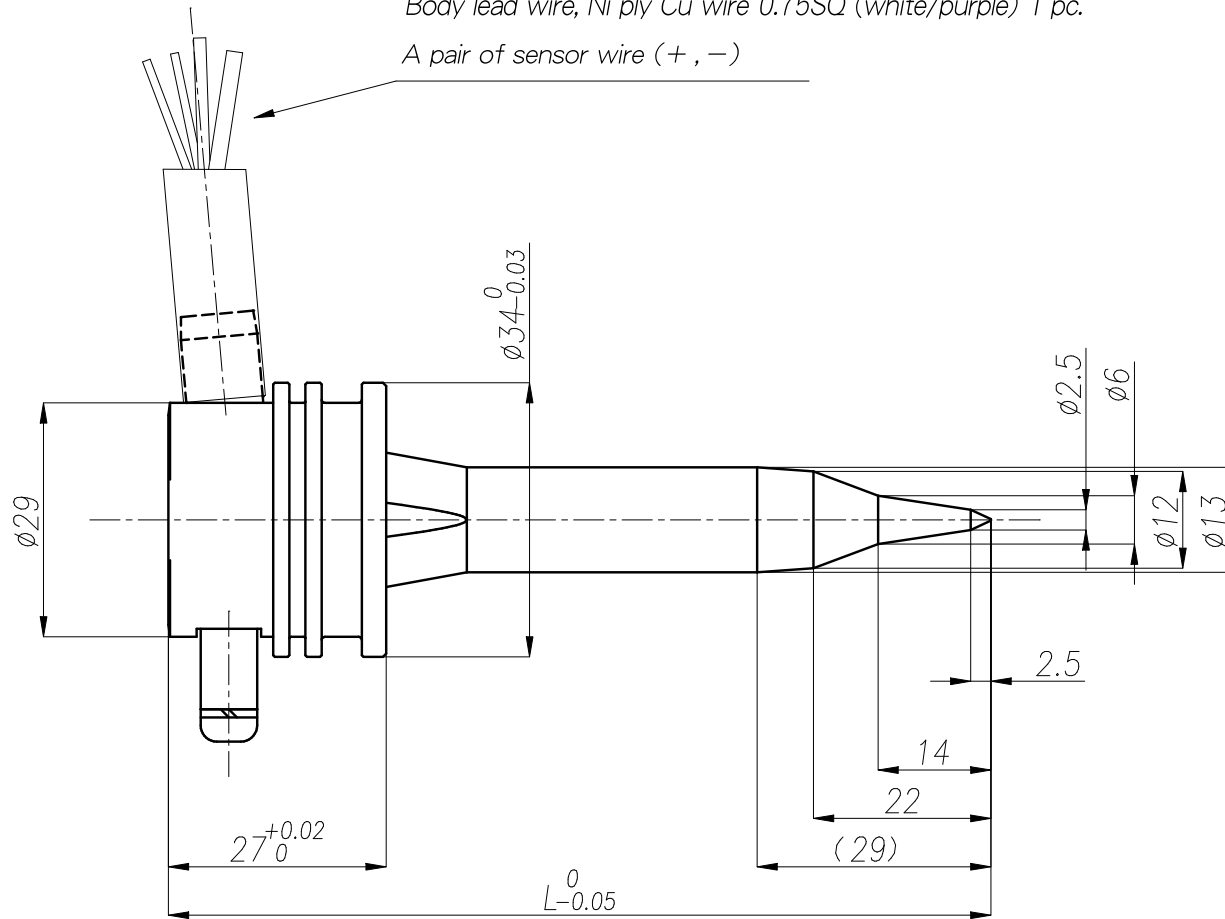


# STT-13DBX Standard Drawing

Tip lead wire Ni ply Cu wire 1.25SQ (white/red) 1 pc.  
 Body lead wire, Ni ply Cu wire 0.75SQ (white/purple) 1 pc.  
 A pair of sensor wire (+, -)

Standard	L
STT-13DBX-92	92
STT-13DBX-102	102
STT-13DBX-112	112
STT-13DBX-122	122
STT-13DBX-132	132



Accessories	Specification
Tip ground wire	1.25SQ Ni ply Cu wire (white/green)
Body ground wire	0.75SQ Ni ply Cu wire (white/green)
Ground terminal	M4x 16, SW Collar φ 7x 11
SUS O Ring	G00875A

Tip heater	11V Ground
Body heater	32V Ground