

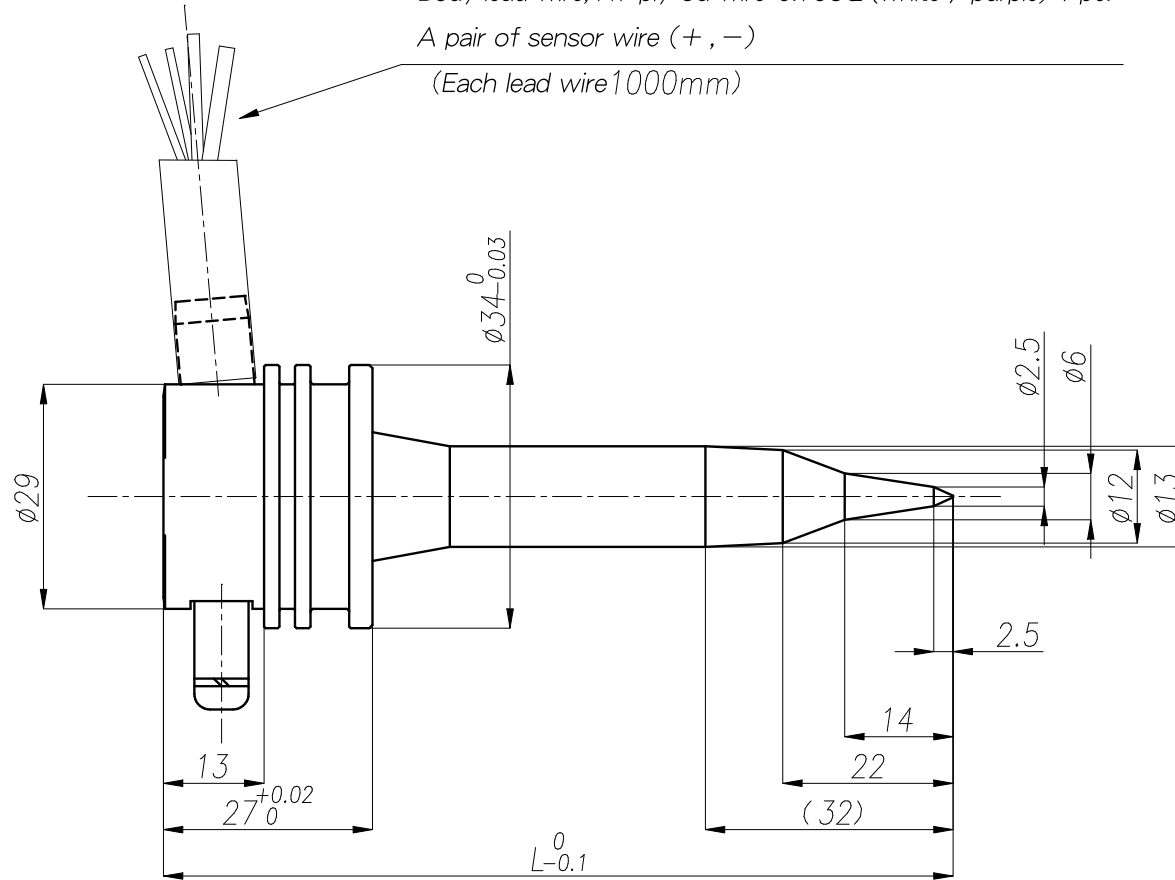
STT-13DBXF II Standard Drawing

Tip lead wire Ni ply Cu wire 1.255SQ (white / red) 2 pcs.

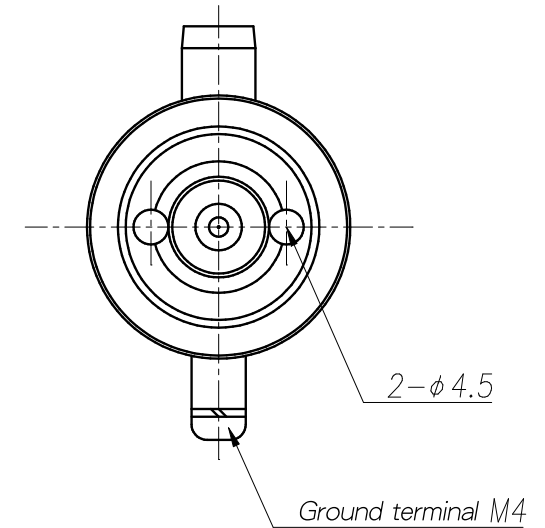
Body lead wire, Ni ply Cu wire 0.75SQ (white / purple) 1 pc.

A pair of sensor wire (+, -)

(Each lead wire 1000mm)



Standard	L
STT-13DBXF II-82	82
STT-13DBXF II-92	92
STT-13DBXF II-102	102
STT-13DBXF II-112	112
STT-13DBXF II-122	122
STT-13DBXF II-132	132



Accessories	Specification
Body ground wire	0.75SQ Ni ply Cu wire (white/green)-Round terminal
Ground terminal	M4×16, SW Collar φ7×11
SUS O Ring	G00875A

Tip heater	11V
Body heater	32V Ground