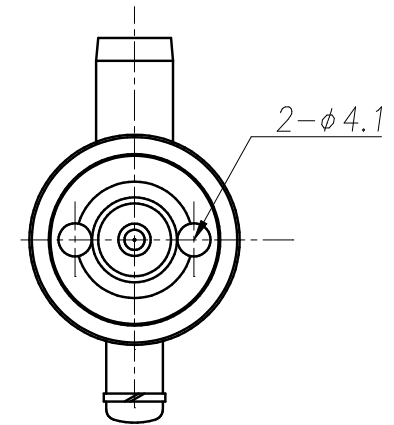
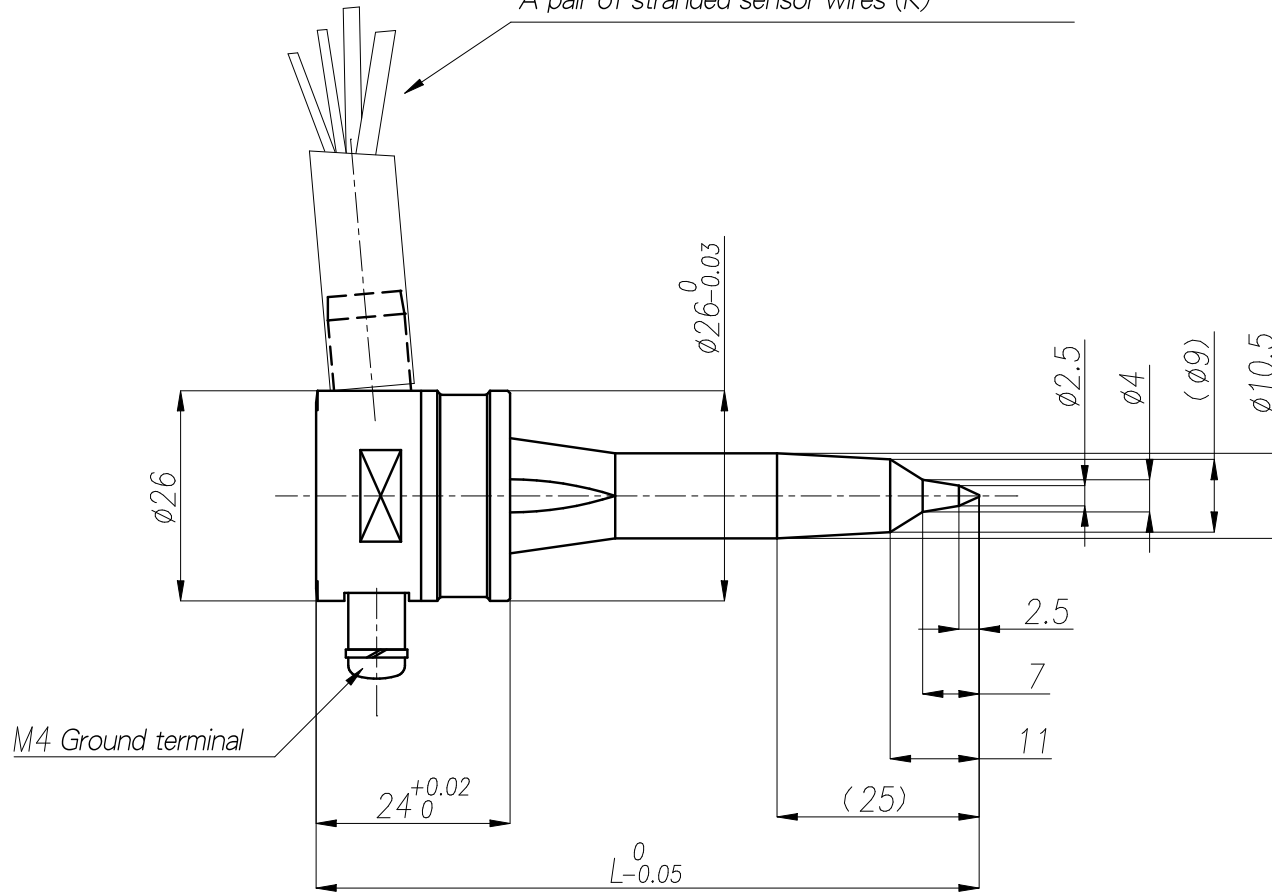


STT-11DB Standard Drawing

Tip lead wire, Ni ply Cu wire 1.25SQ(white/red) 2 pcs.
 Body lead wire, Ni ply Cu wire 0.75SQ(white/purple) 1 pc.
 A pair of stranded sensor wires (K)

Standard	L
STT-11DB-82	82
STT-11DB-92	92
STT-11DB-102	102



Accessories	Specification
Body ground wire	0.75SQ Ni ply Cu wire (white/green) — Round head terminal
Ground terminal	M4X 12, SW Collar $\phi 7 \times 7$
SUS O Ring	G00688A

Tip heater	11V
Body heater	32V Ground