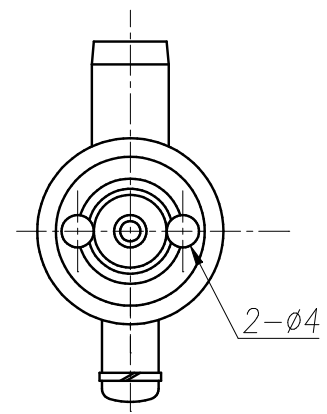
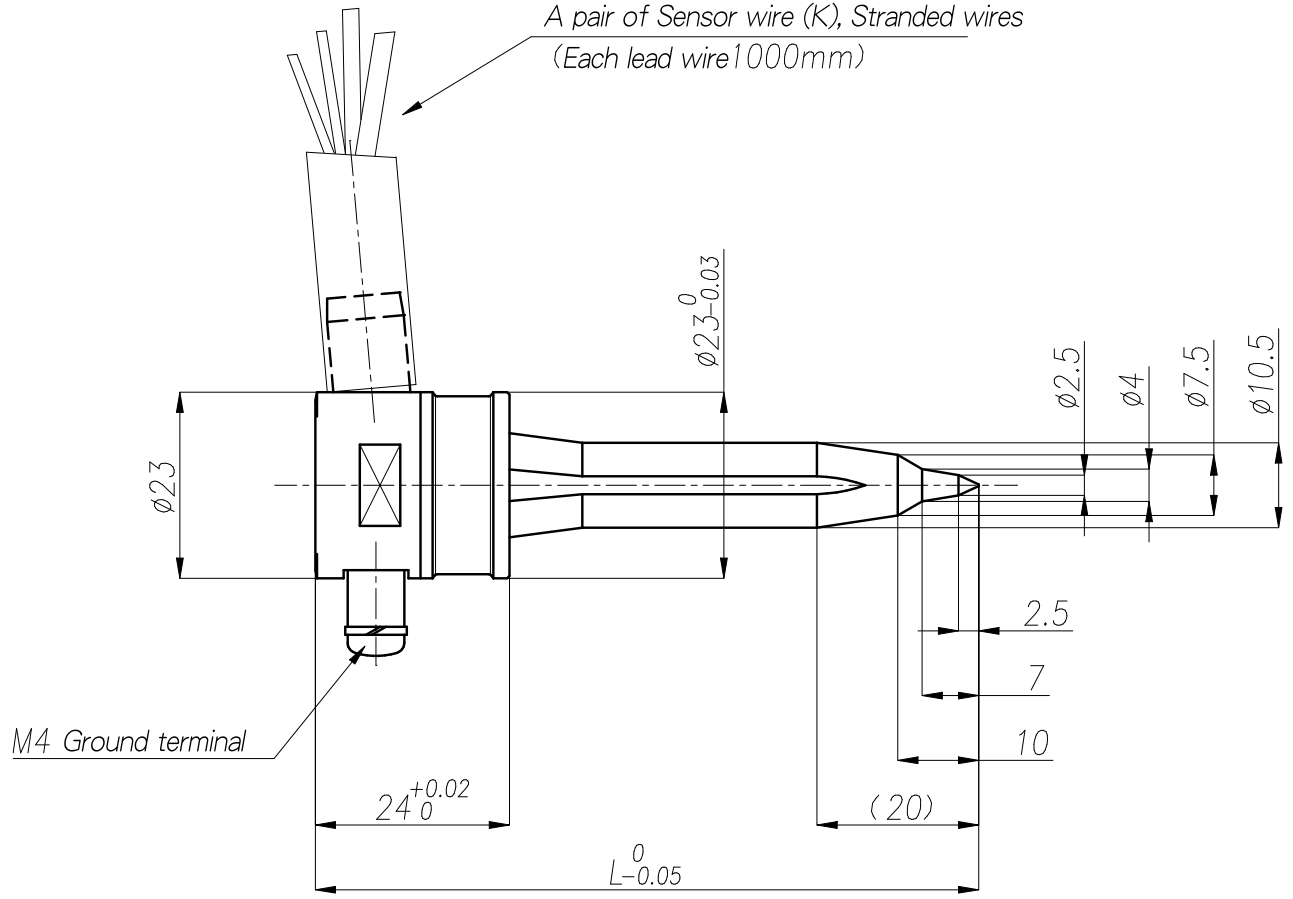


# STT-10DS Standard Drawing

Tip lead wire, Ni ply Cu wire 1.25SQ(white/red) 1 pc.  
 Body lead wire, Ni ply Cu wire 0.75SQ(white/purple) 1 pc.  
 A pair of Sensor wire (K), Stranded wires  
 (Each lead wire 1000mm)

Standard	L
STT-10DS-72	72
STT-10DS-82	82
STT-10DS-92	92
STT-10DS-102	102



Accessories	Specification
Tip ground wire	1.25SQ Ni ply Cu wire (white/green)
Body ground wire	0.75SQ Ni ply Cu wire (white/green)
Ground terminal	M4x 12, SW Collar $\phi 7 \times 7$
SUS O Ring	G00688A

Round head terminal

Tip heater	11V Ground
Body heater	32V Ground