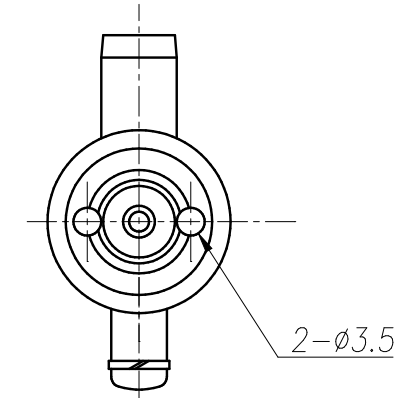
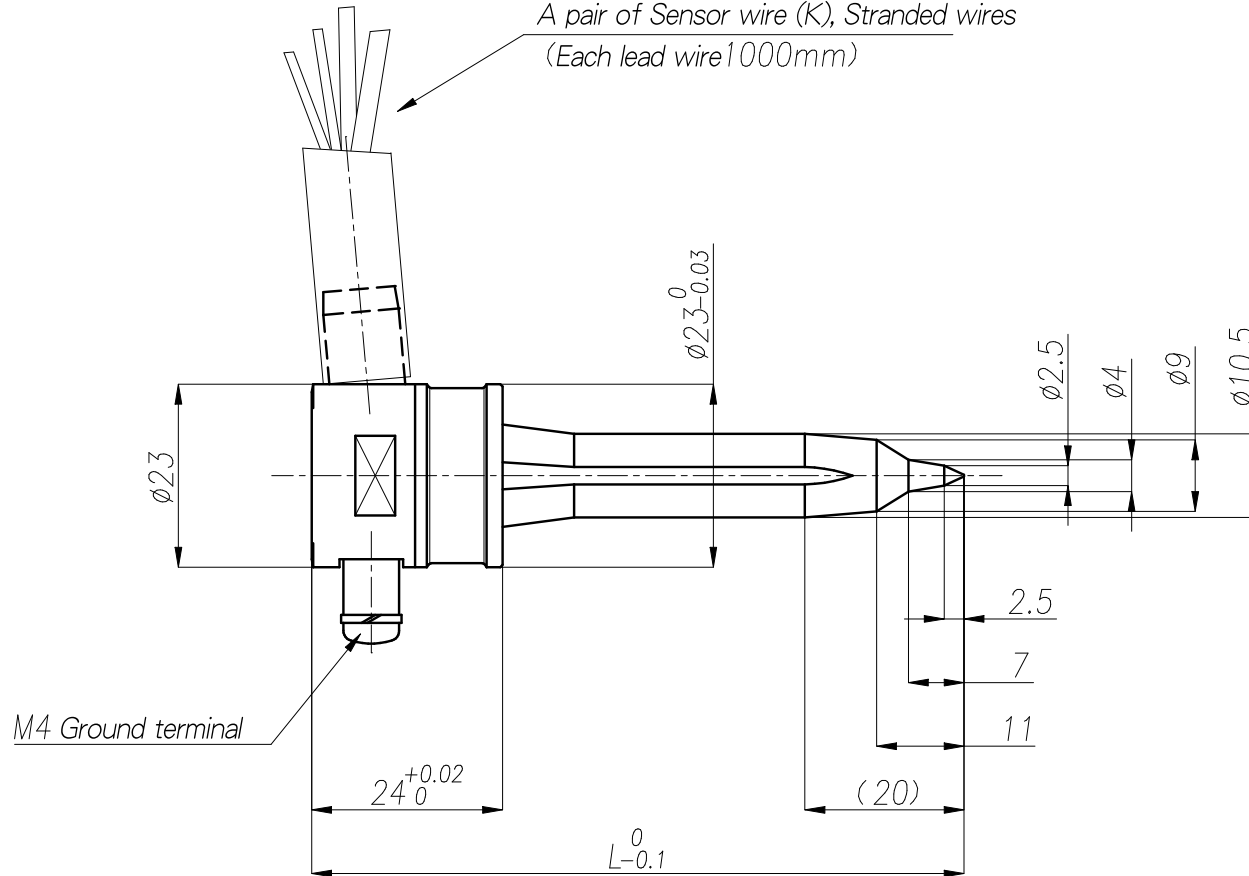


STT-10DSF Standard Drawing

Tip lead wire, Ni ply Cu wire 1.25SQ(white/red) 1 pc.
 Body lead wire, Ni ply Cu wire 0.75SQ(white/purple) 1 pc.
 A pair of Sensor wire (K), Stranded wires
 (Each lead wire 1000mm)

Standard	L
STT-10DSF-72	72
STT-10DSF-82	82
STT-10DSF-92	92
STT-10DSF-102	102



Accessories	Specification
Tip ground wire	1.25SQ Ni ply Cu wire (white/green)
Body ground wire	0.75SQ Ni ply Cu wire (white/green)
Ground terminal	M4x 12, SW Collar $\phi 7 \times 7$
SUS O Ring	G00688A

} Round head terminal

Tip heater	11V	Ground
Body heater	32V	Ground