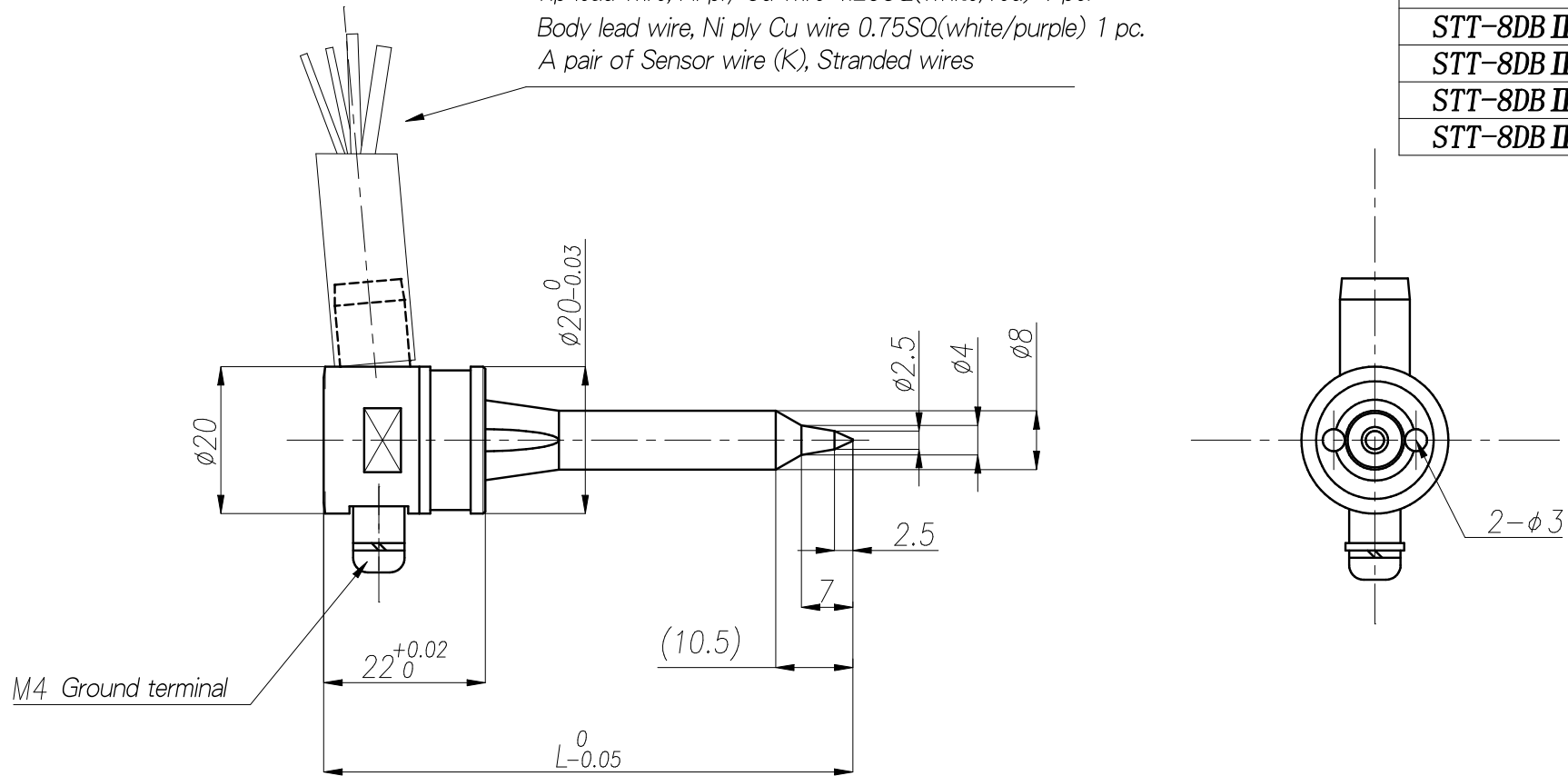


STT-8DB II Standard Drawing

Tip lead wire, Ni ply Cu wire 1.25SQ(white/red) 1 pc.
 Body lead wire, Ni ply Cu wire 0.75SQ(white/purple) 1 pc.
 A pair of Sensor wire (K), Stranded wires



Standard	L
STT-8DB II-52	52
STT-8DB II-62	62
STT-8DB II-72	72
STT-8DB II-82	82

Accessories	Specification
Tip ground wire	1.25SQ Ni ply Cu wire (white/green)
Body ground wire	0.75SQ Ni ply Cu wire (white/green)
Ground terminal	M4x 10, SW Collar φ 7x5
SUS O Ring	G00625A

Tip heater	11V Ground
Body heater	32V Ground