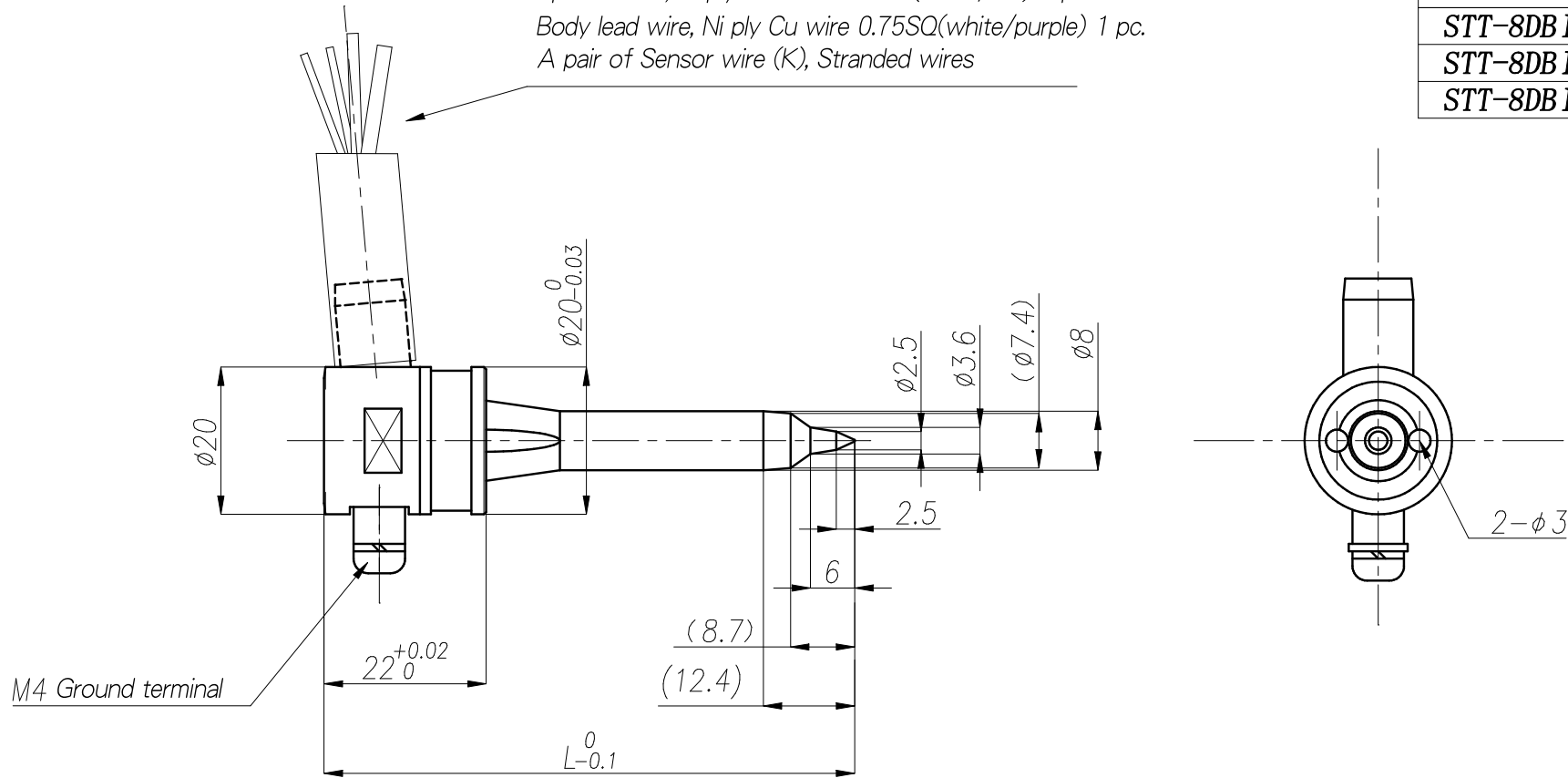


STT-8DB II F Standard Drawing

Tip lead wire, Ni ply Cu wire 1.25SQ(white/red) 1 pc.
 Body lead wire, Ni ply Cu wire 0.75SQ(white/purple) 1 pc.
 A pair of Sensor wire (K), Stranded wires

| Standard | L |
|-----------------|----|
| STT-8DB II F-62 | 62 |
| STT-8DB II F-72 | 72 |
| STT-8DB II F-82 | 82 |



| Accessories | Specification |
|------------------|-------------------------------------|
| Tip ground wire | 1.25SQ Ni ply Cu wire (white/green) |
| Body ground wire | 0.75SQ Ni ply Cu wire (white/green) |
| Ground terminal | M4× 10, SW Collar $\phi 7 \times 5$ |
| SUS O Ring | G00625A |

| | | |
|-------------|-----|--------|
| Tip heater | 11V | Ground |
| Body heater | 32V | Ground |