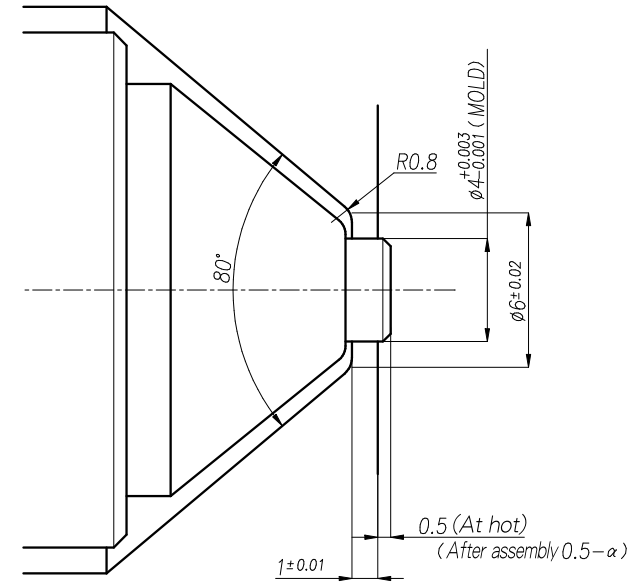
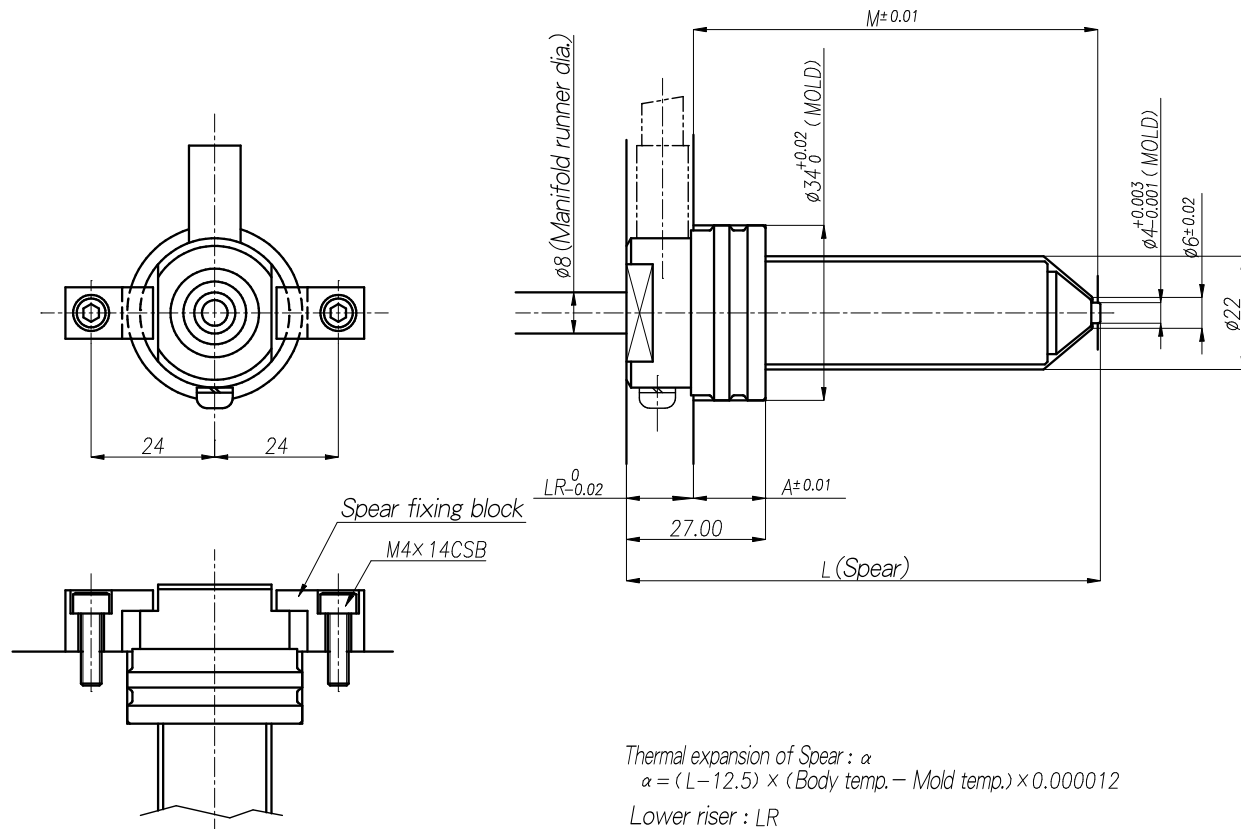


STT-20GF8 Assembly Drawing

Standard	L
STT-20GF8-92	92
STT-20GF8-102	102
STT-20GF8-112	112
STT-20GF8-122	122



Gate part details S=5/1

Thermal expansion of Spear : α
 $\alpha = (L - 12.5) \times (\text{Body temp.} - \text{Mold temp.}) \times 0.000012$

Lower riser : LR
 $LR = L + \alpha - 0.5 - M$

Bore depth : A
 $A = 27 - LR$

\therefore Body temp. = Melt temp. Manifold temp. = Melt temp.
 $\therefore LR \geq 12$