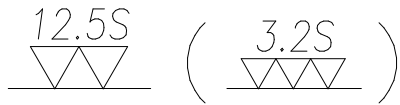
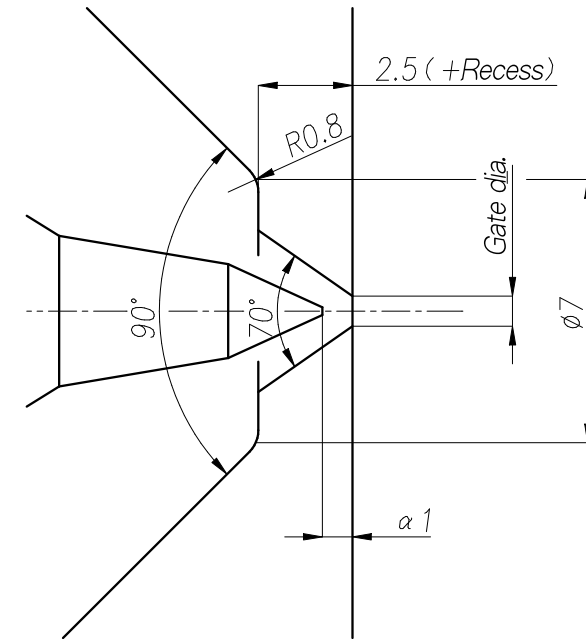
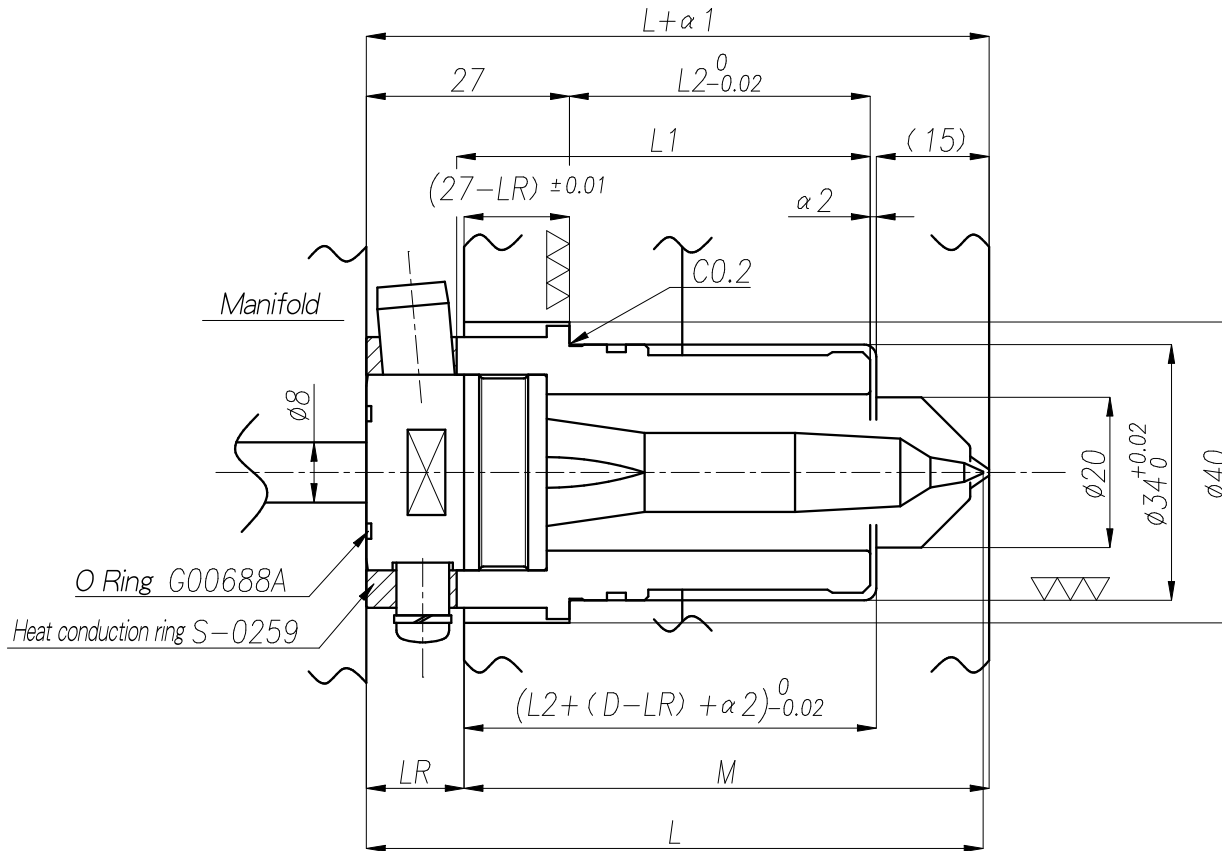


# STT-11DB(F) Assembly Drawing



Standard	L	L1	L2	Runner bushing standard
STT-11DB(F)-82	82	55	40	RB-011
STT-11DB(F)-92	92	65	50	RB-012
STT-11DB(F)-102	102	75	60	RB-013



Details of the pointed end S=5/1

< α 1 (Tip clearance) Formula > ( D=27 : Thermal expansion start here.)  
 $\alpha 1 = (L - D) \times (\text{Body temp.} - \text{Mold temp.}) \times 1.2 \div 100000$   
 $\therefore \text{Body temp.} = \text{Melt temp.} + 40^\circ\text{C.}$  Manifold temp. = Melt temp.  
 $\therefore LR \geq 12$

< α 2 (Runner Bushing Clearance) Formula >  
 $\alpha 2 = 1.2 \div 100000 \times T1 \times L2$   
 $T1$  (Average temp. of runner bushing) = ( Manifold temp. - Melt temp. )  $\times 0.5$

Tolerance unless specified

Dimension	angle
±0.1	±0.5°