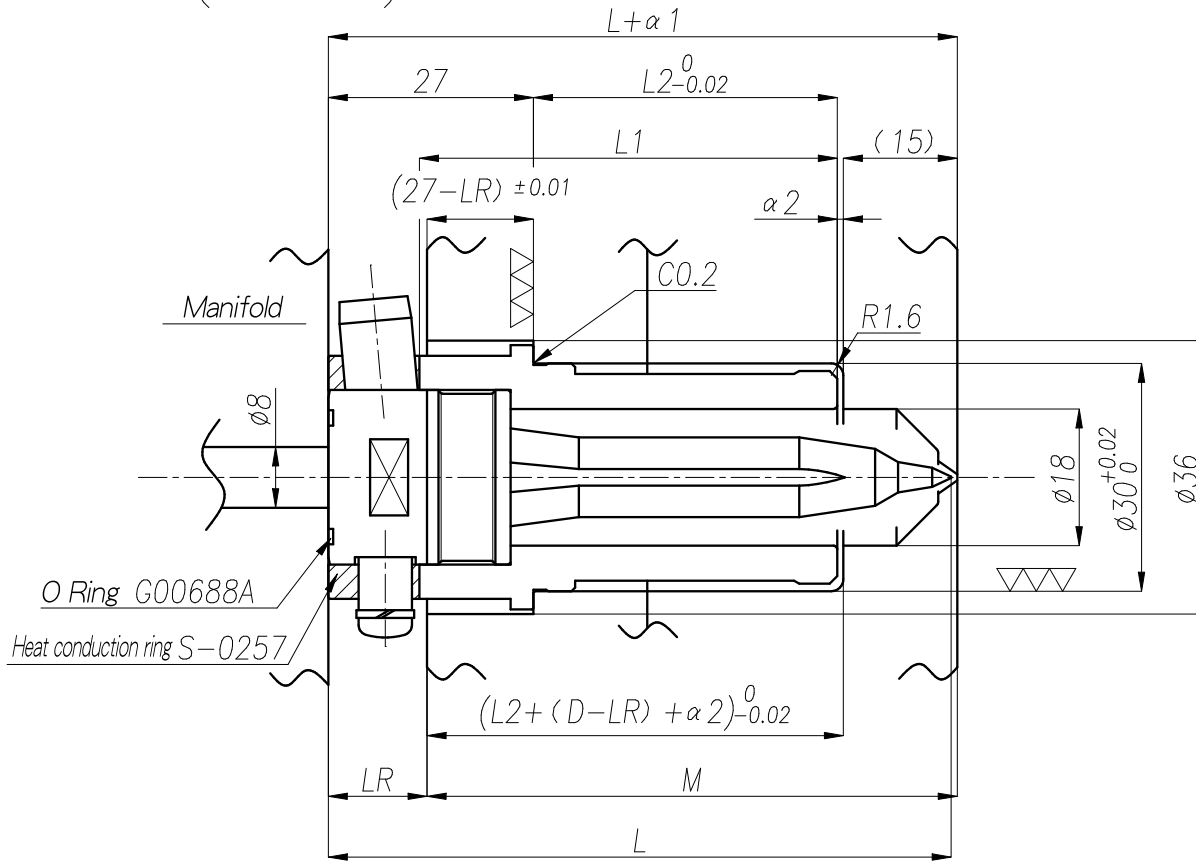
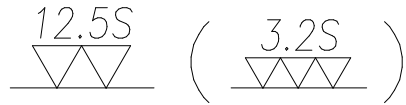
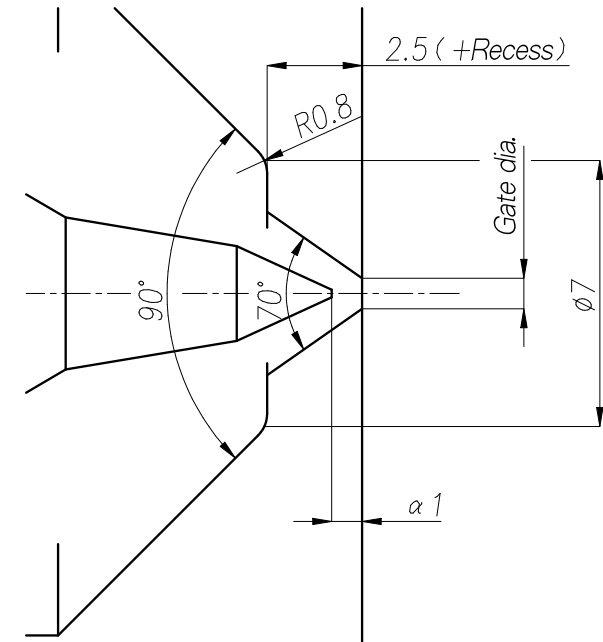


STT-10DS(F) Mold assembly



Standard	L	L1	L2	Runner bushing standard
STT-10DS (F) -72	72	45	30	RB-007
STT-10DS (F) -82	82	55	40	RB-008
STT-10DS (F) -92	92	65	50	RB-009
STT-10DS (F) -102	102	75	60	RB-010



Details of the pointed end S=5/1

< α 1 (Tip clearance) Formula > (D=27 : Thermal expansion start here.)
 $\alpha 1 = (L - D) \times (\text{Body temp.} - \text{Mold temp.}) \times 1.2 \div 100000$
 $\therefore \text{Body temp.} = \text{Melt temp.} + 40^\circ\text{C.}$ Manifold temp. = Melt temp.
 $\therefore LR \geq 12$

< α 2 (Runner Bushing Clearance) Formula >
 $\alpha 2 = 1.2 \div 100000 \times T1 \times L2$
 $T1$ (Average temp. of runner bushing) = (Manifold temp. - Melt temp.) $\times 0.5$

Tolerance unless specified

Dimension	angle
±0.1	±0.5°