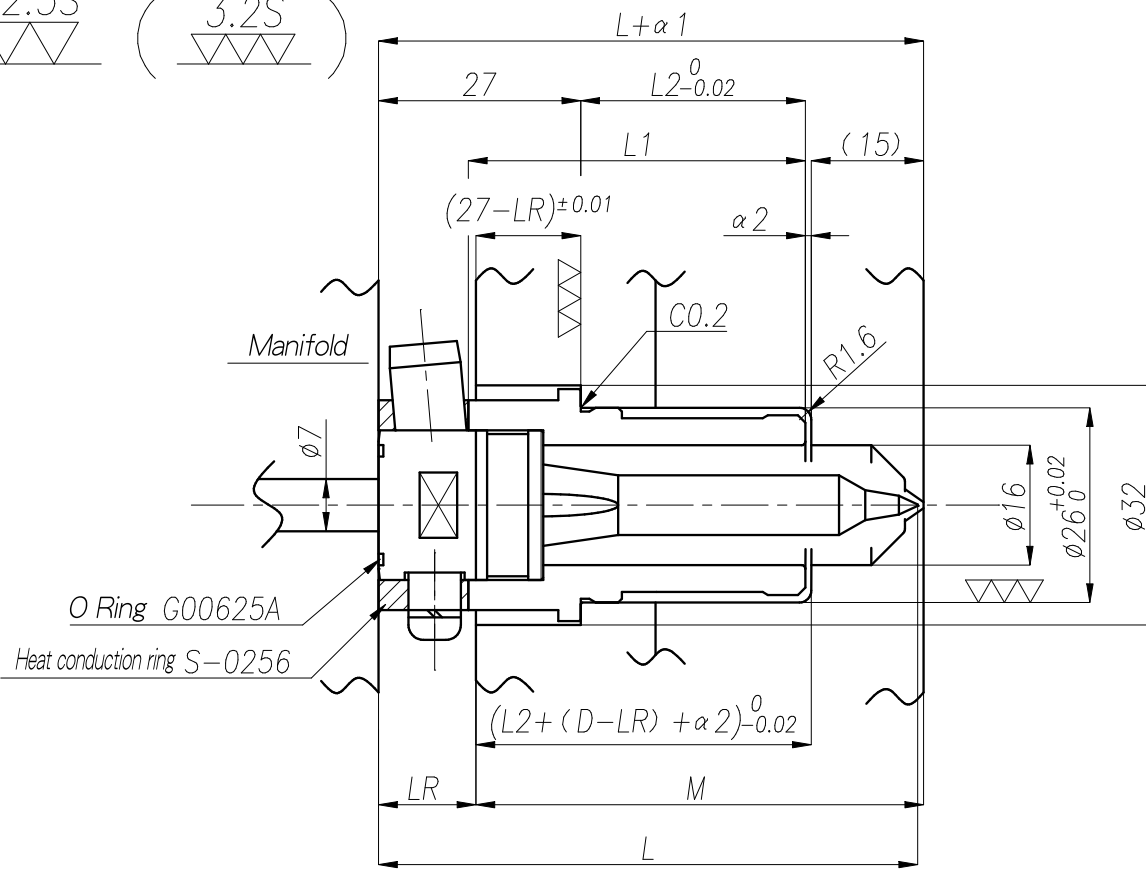
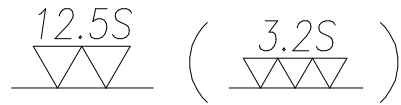
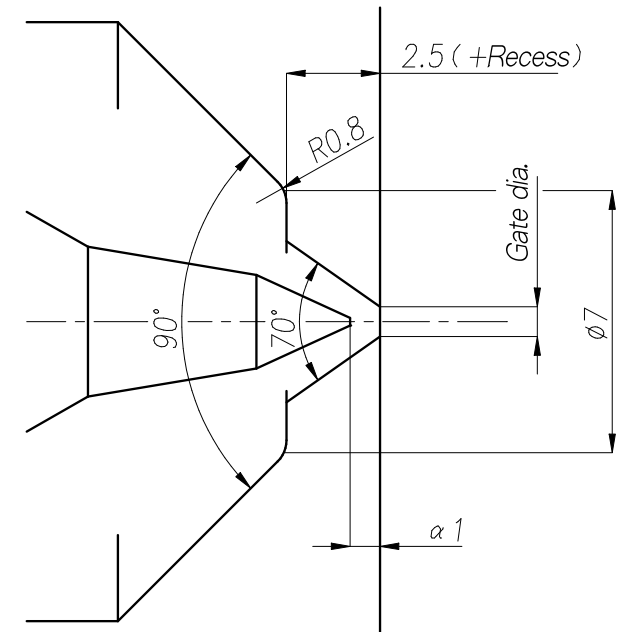


STT-8DB II (F) Mold assembly



Standard	L	L1	L2	Runner bushing standard
STT-8DB II (F)-52	52	25	10	RB-003
STT-8DB II (F)-62	62	35	20	RB-004
STT-8DB II (F)-72	72	45	30	RB-005
STT-8DB II (F)-82	82	55	40	RB-006



Details of the pointed end S=5/1

< $\alpha 1$ (Tip clearance) Formula > (D=22 : Thermal expansion start here.)
 $\alpha 1 = (L - D) \times (\text{Body temp} - \text{Mold temp.}) \times 1.2 \div 100000$
 $\therefore \text{Body temp.} = \text{Melt temp.} + 40^\circ\text{C.}$ $\text{Manifold temp.} = \text{Melt temp.}$
 $\therefore LR \geq 12$

< $\alpha 2$ (Runner Bushing Clearance) Formula >
 $\alpha 2 = 1.2 \div 100000 \times T1 \times L2$
 $T1$ (Average temp. of runner bushing) = (Manifold temp. - Melt temp.) $\times 0.5$

Tolerance unless specified

Dimension	angle
± 0.1	$\pm 0.5^\circ$